

Pulse Valves

for dust collector filters



DUST FILTER COMPONENTS





Certificate of Assessment

European Quality Assurance Limited
hereby grants to

Turbo S.r.l.

Via Po, 33/35
20031 Cesano Maderno
Milano, Italy

whose Quality Management System is in conformance with

ISO 9001:2000

the right to be listed in the Quality Register of Quality Assessed Companies
for the following scope(s)

Progettazione, produzione e commercializzazione di componenti per filtri depolveratori

Design, production and marketing of components for dust collector filters.

Signed

J. de Trussell

DIRECTOR / SCHEME MANAGER

on behalf of European Quality Assurance Limited

This Certificate of Assessment Number **5379** first issued on **23rd July 2004**

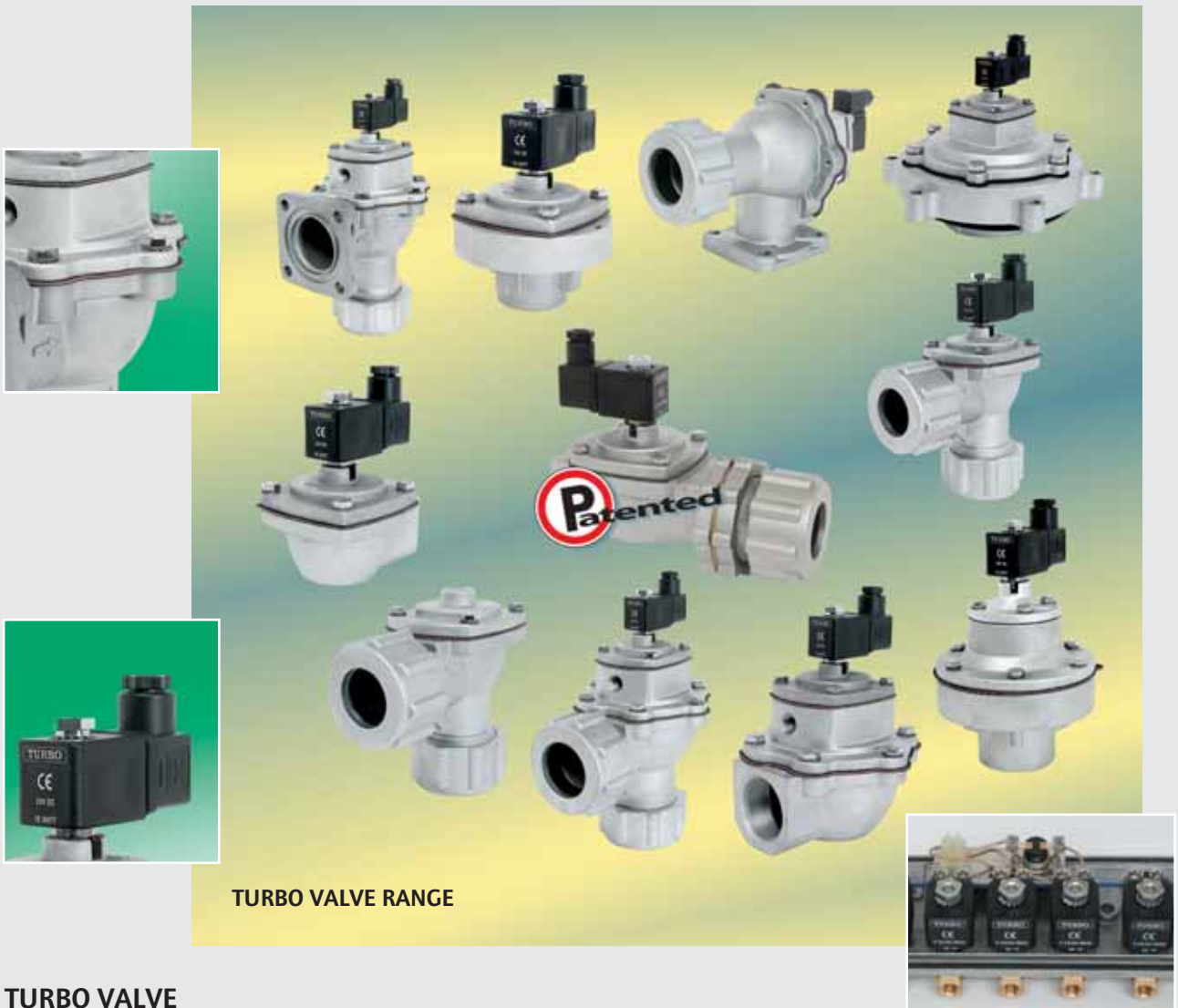
and is issued subject to the regulations, and within the accredited scope, of

European Quality Assurance Limited
Navigation House, 48 Millgate
Newark, Nottinghamshire
NG24 4TY



Further clarifications regarding the scope of this certificate and the applicability of ISO 9001:2000 requirements may be obtained by contacting EQA.
The use of the accreditation mark indicates accreditation in respect of those activities covered by the accreditation certificate number 47

EQA Accredited since 5 February 03



TURBO VALVE RANGE

TURBO VALVE

Turbo has a complete range of pulse valves for dust collector filters able to meet all customers technical requirement. Turbo pulse valves are designed, with a flexible and long life diaphragm for a fast opening and closing operation.

Turbo products range includes:

- 1 - Threaded pulse valves
- 2 - Compression fittings pulse valves
- 3 - Flanged pulse valves
- 4 - Pulse valves for square tank
- 5 - Straight through pulse valves



Same valves are available in compliance with ATEX 94/9/EC:

ATEX II 2 GD (zone 1 e 21)

ATEX II 3 GD (zone 2 e 22).

PULSE VALVES

HOW TO ORDER

example

F P 25 02450

F : THREADED VALVE
D : COMPRESSION FITTINGS VALVE
E : FLANGED VALVE
SQ : GLOBAL VALVE FOR SQUARE TANK
FD : STRAIGHT THROUGH VALVE

P = INTEGRAL PILOT
M = REMOTE PILOT

CONNECTION DIAMETERS

$3/4''$ = 20
1'' = 25
 $1''1/2$ = 40
2'' = 55
 $2''1/2$ = 65
3'' = 75

STANDARD VOLTAGES

24V 50-60Hz = 02450
110V 50-60Hz = 11050
220V 50-60Hz = 22050
24VDC = 024DC



Range

- B1 Pulse valve with threaded connection
- B2 Pulse valves with compression fitting
- B3 Pulse valves with flange inlet
- B4 Pulse valves for square tank
- B5 Pulse valves straight through

F Series

D Series

E Series

SQ Series

FD Series

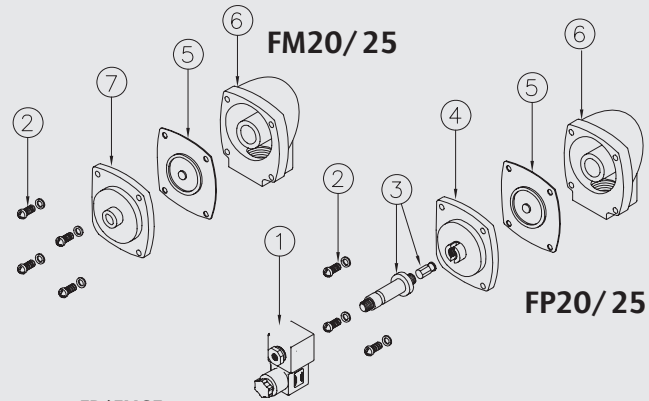
F Series



CHARACTERISTICS

| | |
|---------------------------|---|
| Fluid | Filtered and oilfree compressed air |
| Temperature range | STD diaphragm -40°C; +80°C Viton diaphragm -30°C; +200°C |
| Operating pressure | min. 0,5; max 7,5 bar |
| Body e cover | Die cast aluminium |
| Core tube | Stainless Steel |
| Plunger | Stainless Steel |
| Screws | Stainless Steel |
| Coil insulation | Class H |
| Connector | PG 9; IP65 DIN 43650 ISO 4400 |
| Standard voltage | 230 -110 - 24V / 50-60VHz 19 VA 24VDC 15W |

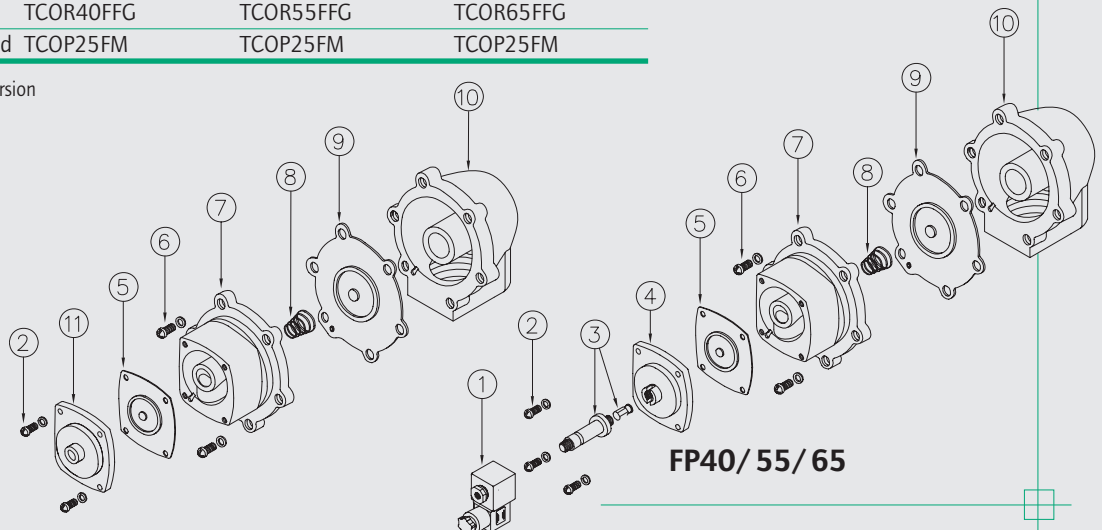
| DESCRIPTION | FP/FM20 | FP/FM25 |
|-------------------------|------------------|------------------|
| 1 Coil+Connector | BH10...V/50-60Hz | BH10...V/50-60Hz |
| 2 Screws+Washer | VTE6x20+VROS6 | VTE6x20+VROS6 |
| 3 Pole assembly | GPC 10 | GPC 10 |
| 4 Cover | TCOP 25 | TCOP 25 |
| 5 Diaphragm | M25 | M25 |
| 6 Body | TCOR20FFG | TCOR20FFG |
| 7 Cover remote operated | TCOP25FM | TCOP25FM |



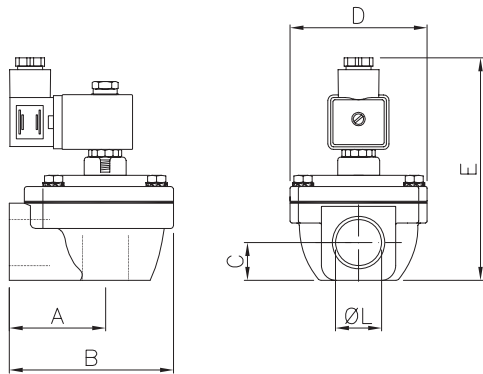
FP Integral solenoid pilot version
FM Remote pilot version

| DESCRIPTION | FP/FM40 | FP/FM55 | FP/FM65 |
|--------------------------|------------------|------------------|------------------|
| 1 Coil+Connector | BH10...V/50-60Hz | BH10...V/50-60Hz | BH10...V/50-60Hz |
| 2 Screws+Washer | VTE6x20+VROS6 | VTE6x20+VROS6 | VTE6x20+VROS6 |
| 3 Pole assembly | GPC 10 | GPC 10 | GPC 10 |
| 4 Cover | TCOP 25 | TCOP 25 | TCOP 25 |
| 5 Diaphragm | M25 | M25 | M25 |
| 6 Screws + Washer | VTE8x20+VROS8 | VTE10x25+VROS10 | VTE10x25+VROS10 |
| 7 Main cover | TCOP 40 | TCOP 65G | TCOP 65G |
| 8 Spring | TMOL40 | TMOL40 | TMOL40 |
| 9 Main diaphragm | M40 | M55 | M75 |
| 10 Body | TCOR40FFG | TCOR55FFG | TCOR65FFG |
| 11 Cover remote operated | TCOP25FM | TCOP25FM | TCOP25FM |

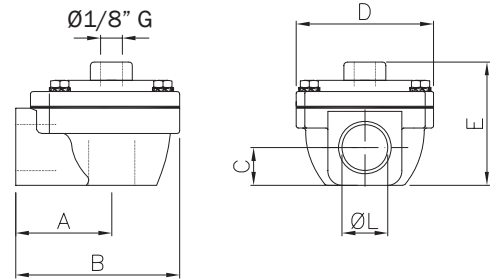
FP Integral solenoid pilot version
FM Remote pilot version



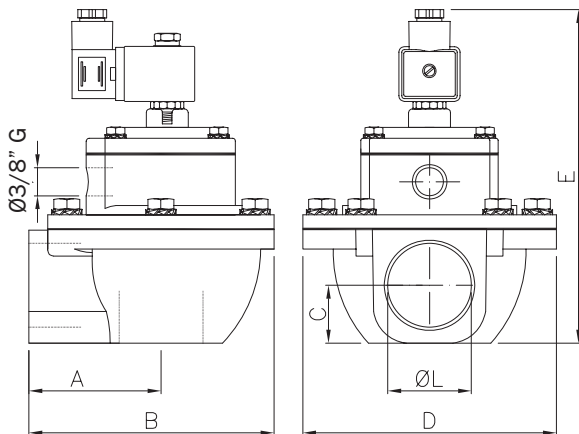
FP20 - FP25



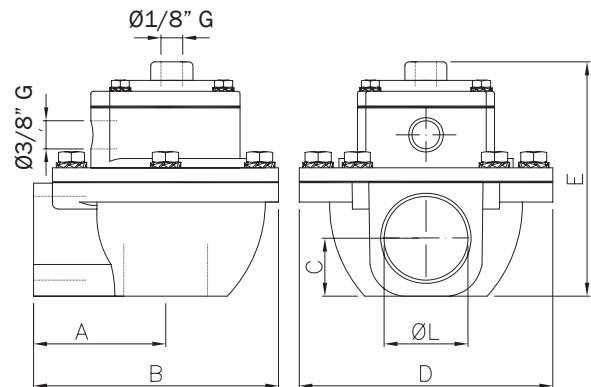
FM20 - FM25



FP40 - FP55 - FP65



FM40 - FM55 - FM65



| Model | Ø L (nom) | A | B | C | D | E | Weight (Kg) | Model | E | Weight (Kg) |
|--------------|-----------|------|-----|------|-----|------|-------------|--------------|-----|-------------|
| FP 20 | 3/4" | 52 | 90 | 20,5 | 74 | ~125 | 0,6 | FM 20 | 67 | 0,4 |
| FP 25 | 1" | 52 | 90 | 20,5 | 74 | ~125 | 0,5 | FM 25 | 67 | 0,4 |
| FP 40 | 1 1/2" | 71,3 | 135 | 31 | 140 | ~188 | 1,6 | FM 40 | 130 | 1,4 |
| FP 55 | 2" | 114 | 203 | 40 | 194 | ~225 | 3,5 | FM 55 | 167 | 3,4 |
| FP 65 | 2 1/2" | 114 | 203 | 48 | 194 | ~225 | 3,4 | FM 65 | 167 | 3,2 |

D Series



CARACTERISTICS

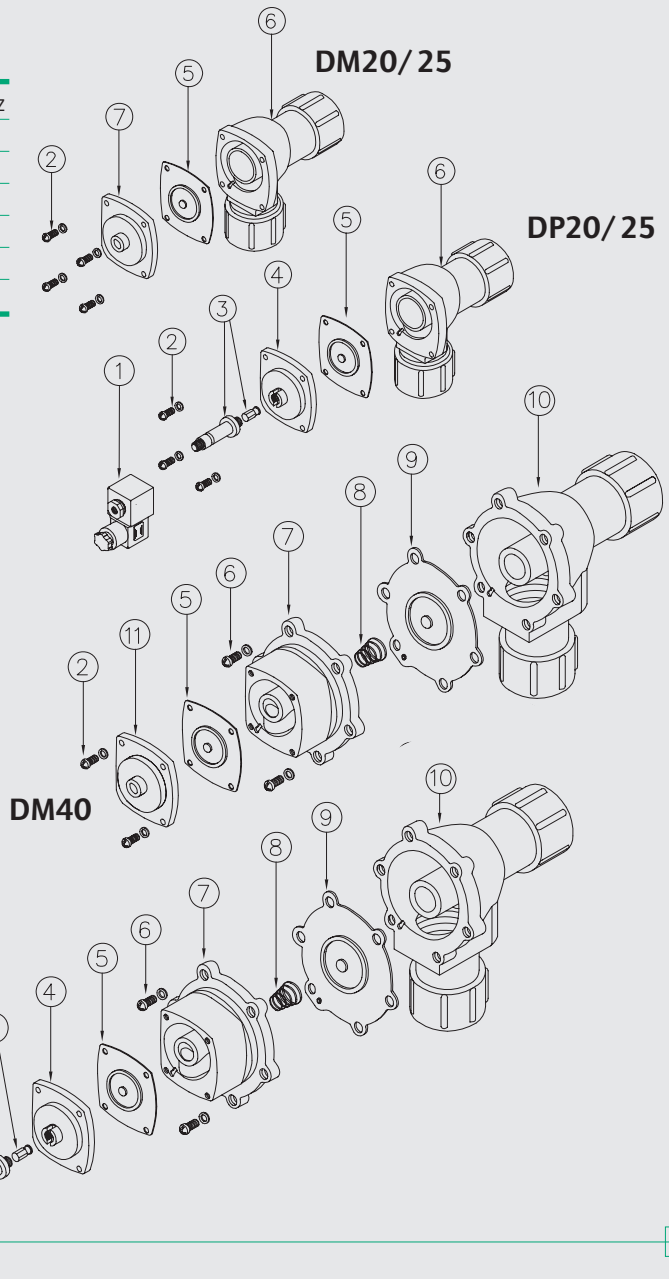
| | |
|---------------------------|---|
| Fluid | Filtered and oilfree compressed air |
| Temperature range | STD diaphragm -40°C; +80°C Viton diaphragm -30°C; +200°C |
| Operating pressure | min. 0,5; max 7,5 bar |
| Body e coover | Die cast aluminium |
| Core tube | Stainless Steel |
| Plunger | Stainless Steel |
| Screws | Stainless Steel |
| Coil insulation | Class H |
| Connector | PG 9; IP65 DIN 43650 ISO 4400 |
| Standard voltages | 230 -110 - 24V / 50-60VHz 19 VA 24VDC 15W |

| DESCRIPTION | DP/DM20 | DP/DM25 |
|-------------------------|------------------|------------------|
| 1 Coil+Connector | BH10...V/50-60Hz | BH10...V/50-60Hz |
| 2 Screws+Washer | VTE6x20+VROS6 | VTE6x20+VROS6 |
| 3 Pole assembly | GPC 10 | GPC 10 |
| 4 Cover | TCOP 25 | TCOP 25 |
| 5 Diaphragm | M20 | M25 |
| 6 Body | TCOR20/25MMG | TCOR25MMG |
| 7 Cover remote operated | TCOP25FM | TCOP25FM |

DP Integral solenoid pilot version
DM Remote pilot version

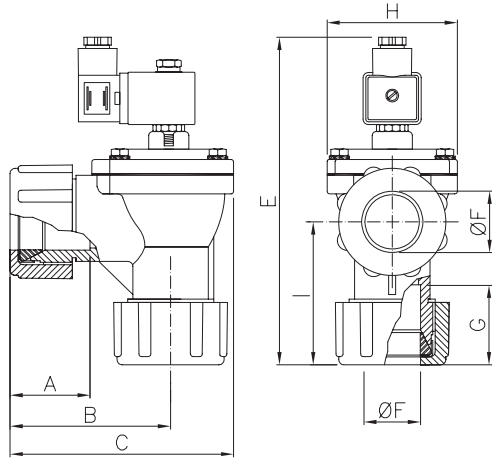
| DESCRIPTION | DP/DM40 |
|-------------------------|------------------|
| 1 Coil+Connector | BH10...V/50-60Hz |
| 2 Screws+Washer | VTE6x20+VROS6 |
| 3 Pole assembly | GPC 10 |
| 4 Cover | TCOP 25 |
| 4 Remote cover | TCOP25FM |
| 5 Diaphragm | M25 |
| 6 Screws + Washer | VTE8x20+VROS8 |
| 7 Main cover | TCOP 40N |
| 8 Spring | TMOL40 |
| 9 Main diaphragm | M40 |
| 10Body | TCOR40MMG |
| 11Cover remote operated | TCOP25FM |

DP Integral solenoid pilot version
DM Remote pilot version

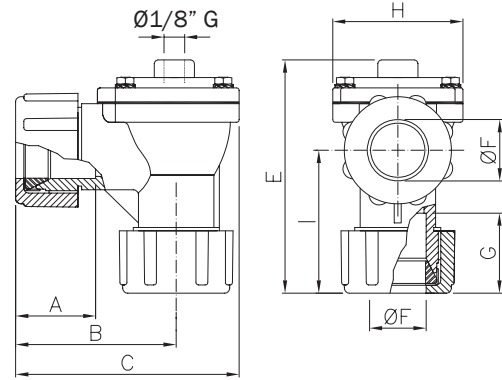


Dimensions mm **D** Series

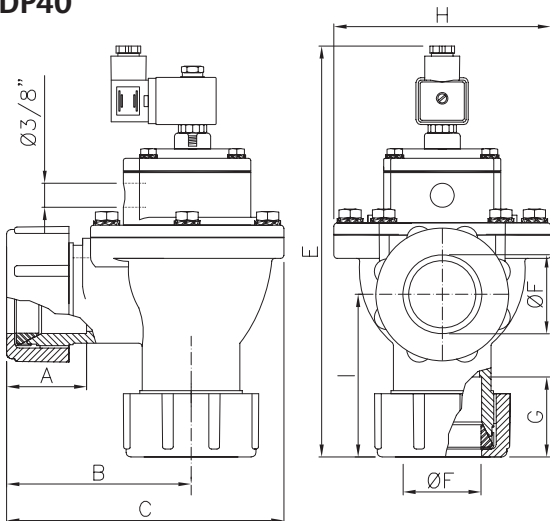
DP20 - DP25



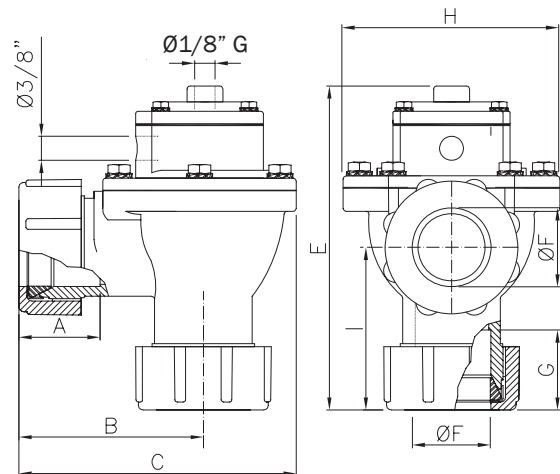
DM20 - DM25



DP40



DM40



| Model | Ø(nom) | A | B | C | E | F | G | H | I | L | Weight (Kg) | Model | E | Weight (Kg) |
|-------|--------|----|-----|-----|------|------|----|-----|-----|------|-------------|-------|-----|-------------|
| DP 20 | 3/4" | 48 | 90 | 128 | ~189 | 28,5 | 48 | 74 | 80 | 30,5 | 1,1 | DM 20 | 131 | 1 |
| DP 25 | 1" | 48 | 90 | 128 | ~189 | 35 | 48 | 74 | 80 | 30,5 | 1 | DM 25 | 131 | 0,9 |
| DP 40 | 1 1/2" | 66 | 114 | 180 | ~264 | 50 | 66 | 140 | 101 | 39 | 2,4 | DM 40 | 206 | 2,3 |

E Series



CARACTERISTICS

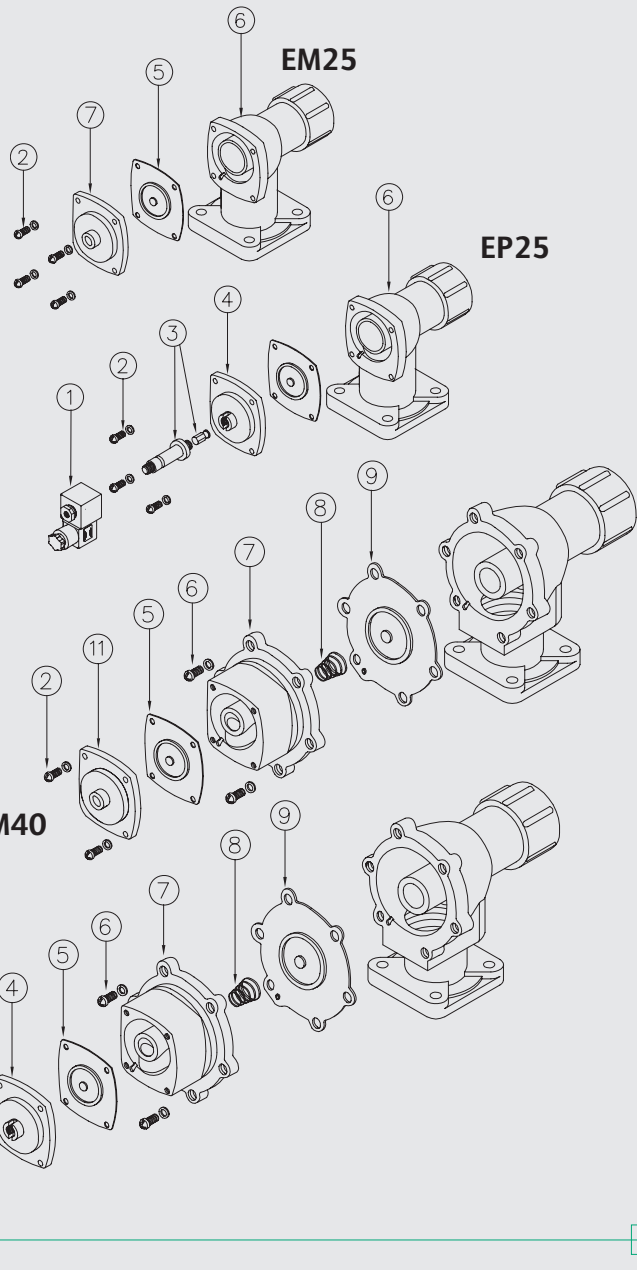
| | |
|---------------------------|---|
| Fluid | Filtered and oilfree compressed air |
| Temperature range | STD diaphragm -40°C; +80°C Viton diaphragm -30°C; +200°C |
| Operating pressure | min 0,5; max 7,5 bar |
| Body & cover | Die cast aluminium |
| Core tube | Stainless Steel |
| Plunger | Stainless Steel |
| Screws | Stainless Steel |
| Coil insulation | Class H |
| Connector | PG 9; IP65 DIN 43650 ISO 4400 |
| Standard voltages | 230 -110 - 24V / 50-60VHz 19 VA 24VDC 15W |

| DESCRIPTION | EM/ EP25 |
|-------------------------|------------------|
| 1 Coil+Connector | BH10...V/50-60Hz |
| 2 Screws+Washer | VTE6x20+VROS6 |
| 3 Pole assembly | GPC 10 |
| 4 Cover | TCOP 25/EP |
| 5 Diaphragm | M25/EP-EM |
| 6 Body | TCOR25FMG |
| 7 Cover remote operated | TCOP25FM |

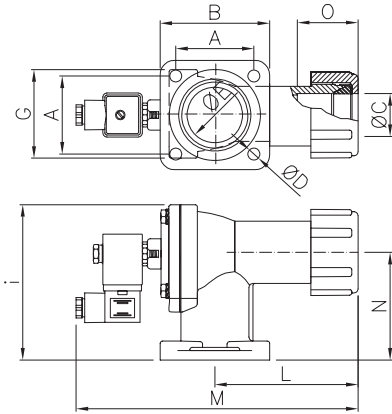
EP Integral solenoid pilot version
EM Remote pilot version

| DESCRIPTION | EP/ EM40 |
|--------------------------|------------------|
| 1 Coil+Connector | BH10...V/50-60Hz |
| 2 Screws+Washer | VTE6x20+VROS6 |
| 3 Pole assembly | GPC 10 |
| 4 Cover | TCOP 25 |
| 5 Diaphragm | M25 |
| 6 Screws + Washer | VTE8x20+VROS8 |
| 7 Main cover | TCOP 40N |
| 8 Spring | TMOL40 |
| 9 Main diaphragm | M40 |
| 10 Body | TCOR40FMG |
| 11 Cover remote operated | TCOP25FM |

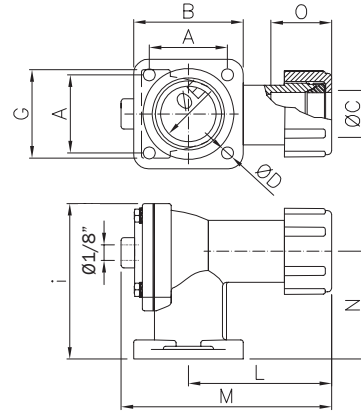
EP Integral solenoid pilot version
EM Remote pilot version



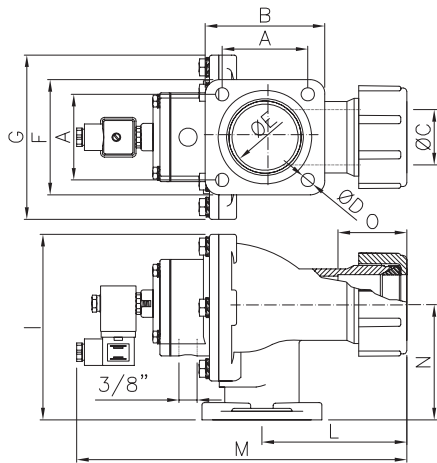
EP25



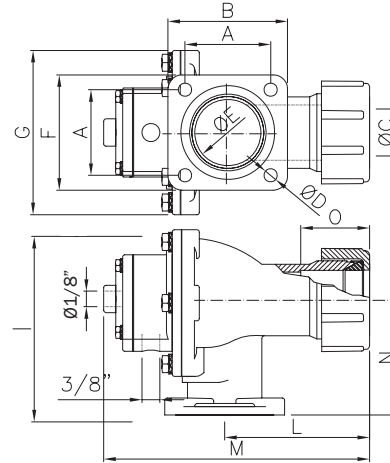
EM25



EP40



EM40



| Model | $\varnothing C$ (nom) | A | B | $\varnothing D$ | F | G | I | L | M | N | $\varnothing E$ | Weight (Kg) |
|-------|-----------------------|----|----|-----------------|----|-----|-----|-----|-----|----|-----------------|-------------|
| EP 25 | 1" | 60 | 82 | 9 | 82 | 74 | 119 | 106 | 217 | 81 | 1"1/2 | 1 |
| EP 40 | 1"1/2 | 72 | 99 | 11 | 96 | 140 | 160 | 115 | 278 | 96 | 2" | 2,3 |
| EM 25 | 1" | 60 | 82 | 9 | 82 | 74 | 106 | 106 | 159 | 81 | 1"1/2 | 0,9 |
| EM40 | 1"1/2 | 72 | 99 | 11 | 96 | 140 | 160 | 115 | 220 | 96 | 2" | 2,1 |

SQ Series Ø 1"

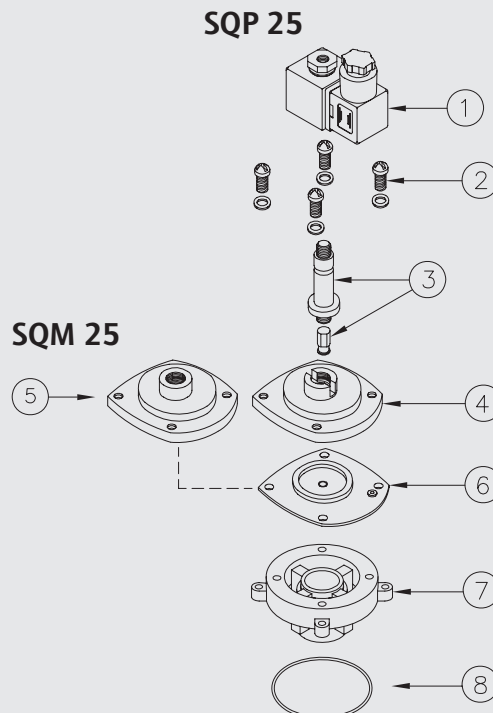


CARACTERISTICS

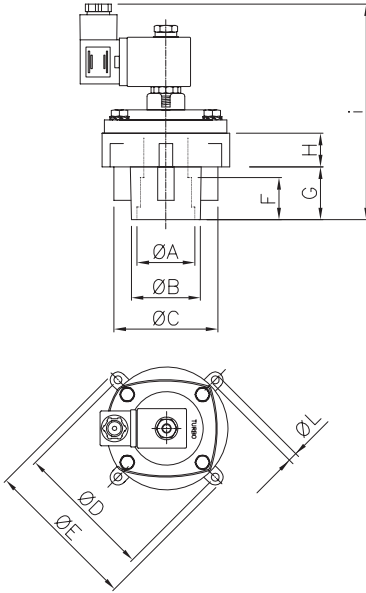
| | |
|---------------------------|---|
| Fluid | Filtered and oilfree compressed air |
| Temperature range | STD diaphragm -40°C; +80°C Viton diaphragm -30°C; +200°C |
| Operating pressure | min 0,5; max 7,5 bar |
| Body & cover | Die cast aluminium |
| Core tube | Stainless Steel |
| Plunger | Stainless Steel |
| Screws | Stainless Steel |
| Coil insulation | Class H |
| Connector | PG 9; IP65 DIN 43650 ISO 4400 |
| Standard voltages | 230 -110 - 24V / 50-60VHz 19 VA 24VDC 15W |

| DESCRIPTION | SQP25/ SQM25 |
|-------------------------|------------------|
| 1 Coil+Connector | BH10...V/50-60Hz |
| 2 Screws+Washer | VTE6x20+VROS6 |
| 3 Pole assembly | GPC 10 |
| 4 Cover | TCOP 25 |
| 5 Cover remote operated | TCOP25FM |
| 6 Diaphragm | M25 |
| 7 Body | TCOR25IM |
| 8 O-Ring | OR 65x4 |

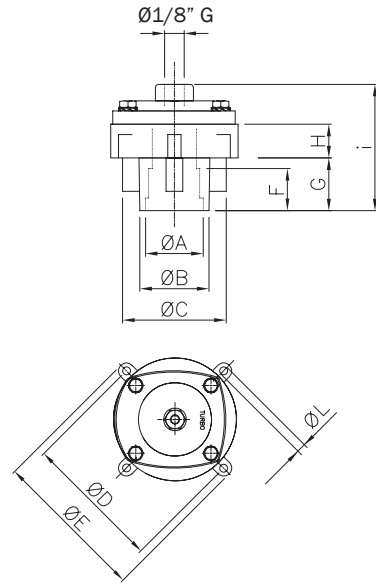
SQPO Integral solenoid pilot version
SQMO Remote pilot version



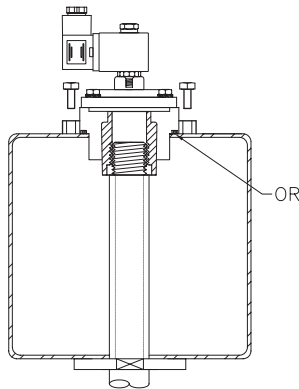
SQP 25



SQM 25



Installation SQP 25/ SQM 25



| Model | Ø A | Ø B | Ø C | Ø D | Ø E | Ø M | F | G | H | I | Ø L | Weight (Kg) |
|--------|-----|------|------|-----|-----|-----|----|------|------|-----|-----|-------------|
| SQP 25 | 1" | 41,4 | 62,2 | 104 | 116 | 92 | 25 | 31,5 | 20,2 | 136 | 6,2 | 0,6 |
| SQM 25 | 1" | 41,4 | 62,2 | 104 | 116 | 92 | 25 | 31,5 | 20,2 | 78 | 6,2 | 0,5 |

SQ Series Ø 1"1/2



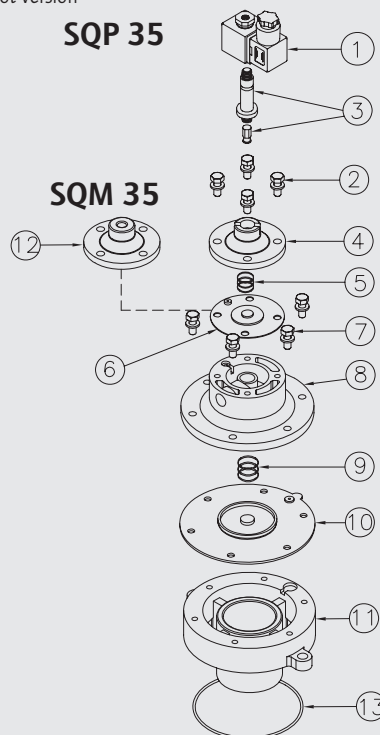
CARACTERISTICS

| | |
|---------------------------|---|
| Fluid | Filtered and oilfree compressed air |
| Temperature range | STD diaphragm -40°C; +80°C Viton diaphragm -30°C; +200°C |
| Operating pressure | min. 0,5; max 7,5 bar |
| Body & cover | Die cast aluminium |
| Core tube | Stainless Steel |
| Plunger | Stainless Steel |
| Screws | Stainless Steel |
| Coil insulation | Class H |
| Connector | PG 9; IP65 DIN 43650 ISO 4400 |
| Standard voltages | 230 -110 - 24V / 50-60VHz 19 VA 24VDC 15W |

| DESCRIPTION | SQP35/SQM35 |
|--------------------------|------------------|
| 1 Coil+Connector | BH10...V/50-60Hz |
| 2 Screws+Washer | VTE6x20+VROS6 |
| 3 Pole assembly | GPC 10 |
| 4 Cover | TCOP 10 |
| 5 Spring | TMOL25 |
| 6 Diaphragm | M10 |
| 7 Screws+Washer | VTE8x20+VROS8 |
| 8 Main cover | TCOP35N |
| 9 Spring | TMOL40 |
| 10 Main diaphragm | M35-S |
| 11 Body | TCOR35FMGS |
| 12 Cover remote operated | TCOP10FM |
| 13 O-Ring | OR 6337 |

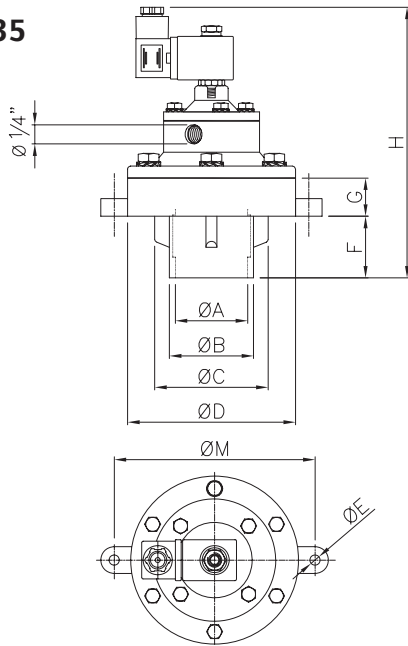
SQPO Integral solenoid pilot version

SQMO Remote pilot version

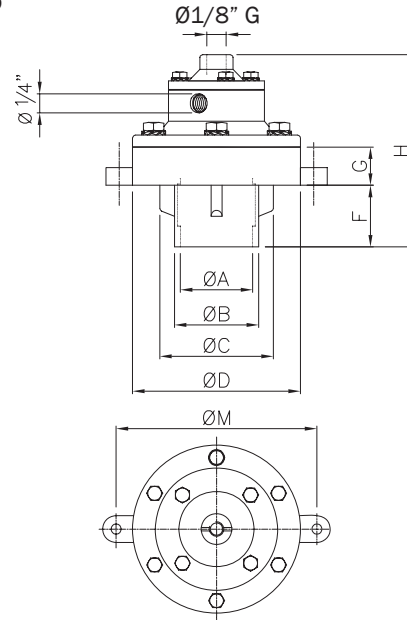


Dimensions $\text{\O} 1\frac{1}{2}$ **SQ** Series

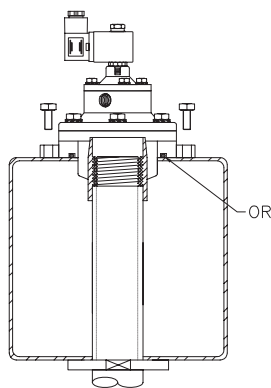
SQP 35



SQM 35



Installation SQP 35



| Model | Ø A | Ø B | Ø C | Ø D | Ø E | F | G | H | Ø M | Weight (Kg) |
|----------------|-----|-----|-----------|-----|-----|----|----|-----|-----|-------------|
| SQPO 35 | 1"½ | 57 | 80,4x70,3 | 114 | 9 | 42 | 26 | 162 | 130 | 1,3 |
| SQMO 35 | 1"½ | 57 | 80,4x70,3 | 114 | 9 | 42 | 26 | 104 | 130 | 1,1 |

SQ Series Ø 2" - 2"1/2 - 3" - 4"

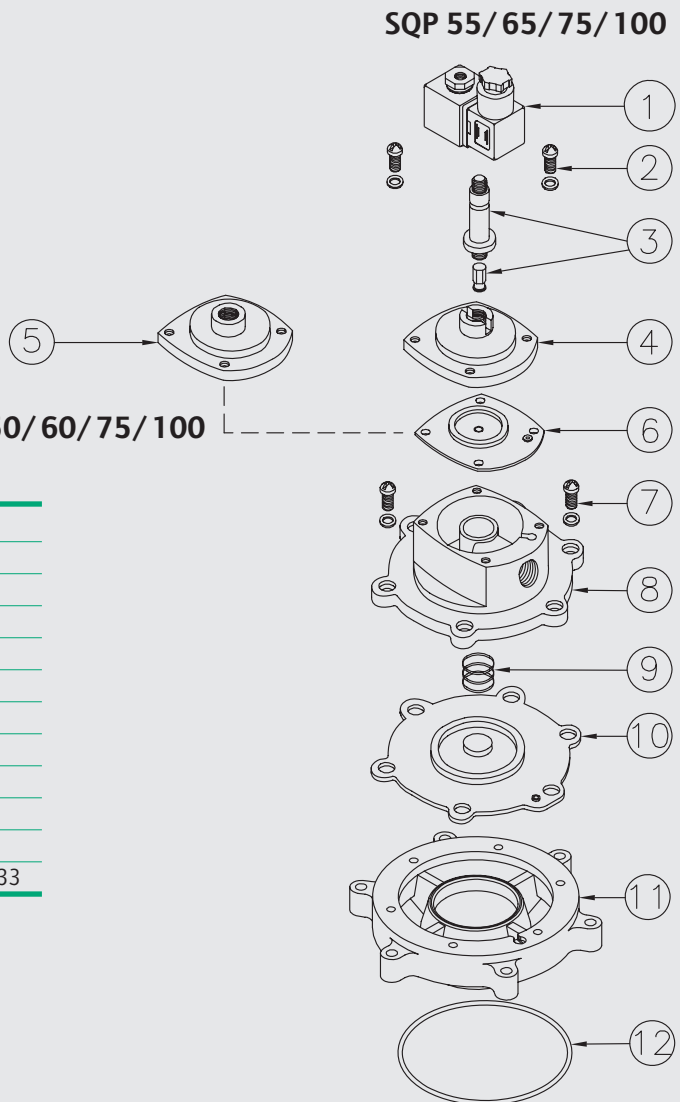


CARACTERISTICS

| | |
|---------------------------|---|
| Fluid | Filtered and oilfree compressed air |
| Temperature range | STD diaphragm -40°C; +80°C Viton diaphragm -30°C; +200°C |
| Operating pressure | min. 0,5; max 7,5 bar |
| Body & cover | Die cast aluminium |
| Core tube | Stainless Steel |
| Plunger | Stainless Steel |
| Screws | Stainless Steel |
| Coil insulation | Class H |
| Connector | PG 9; IP65 DIN 43650 ISO 4400 |
| Standard voltages | 230 -110 - 24V / 50-60VHz 19 VA 24VDC 15W |

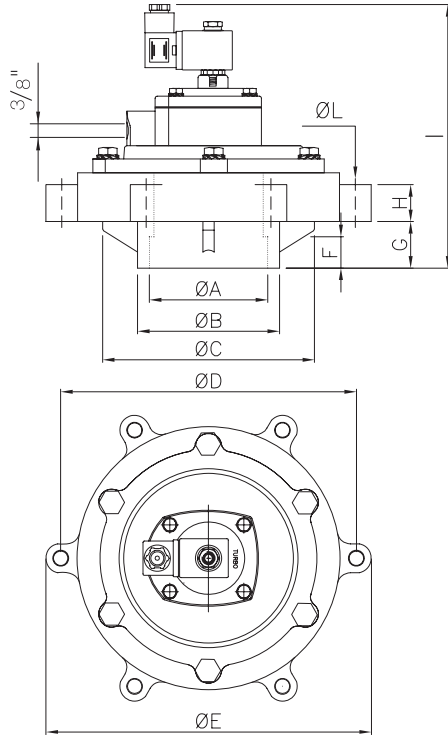
| DESCRIPTION | SQP55/65 |
|------------------------|---------------------|
| 1 Coil+Connector | BH10...V/50-60Hz |
| 2 Screws+Washer | VTE6x20+VROS6 |
| 3 Pole assembly | GPC 10 |
| 4 Cover | TCOP 25 |
| 5 Cover remote operate | TCOP25FM |
| 6 Diaphragm | M25 |
| 7 Screws+Washer | VTE10x20+VROS10 |
| 8 Cover | TCOP50G |
| 9 Spring | TMOL40 |
| 10 Main diaphragm | M50 |
| 11 Body | TCOR50FG - TCOR60FG |
| 12 O-Ring | OR 133 35x5,33 |

| DESCRIPTION | SQP75/100 |
|------------------------|---------------------------------|
| 1 Coil+Connector | BH10...V/50-60Hz |
| 2 Screws+Washer | VTE6x20+VROS6 |
| 3 Pole assembly | GPC 10 |
| 4 Cover | TCOP 25 |
| 5 Cover remote operate | TCOP25FM |
| 6 Diaphragm | M25 |
| 7 Screws+Washer | VTE10x25+VROS10 |
| 8 Cover | TCOP65G |
| 9 Spring | TMOL40 |
| 10 Main diaphragm | M75 |
| 11 Body | TCOR75FLQ - TCOR100FLQ |
| 12 O-Ring | OR 177 17x6,99 - OR 100 17x5,33 |

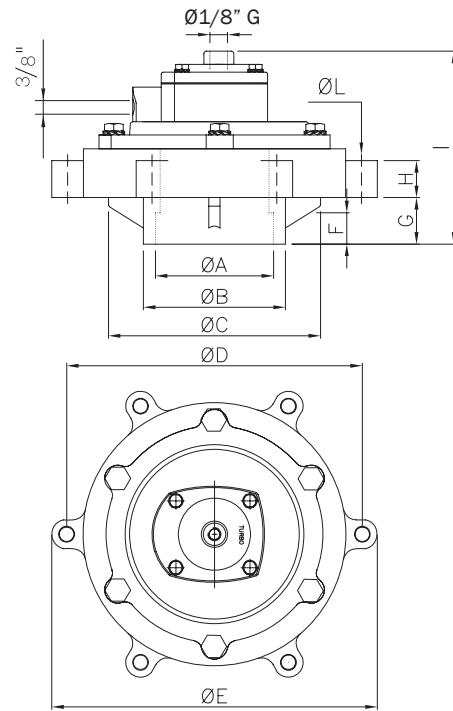


Dimensions Ø 2" - 2"½ - 3" - 4" **SQ** Series

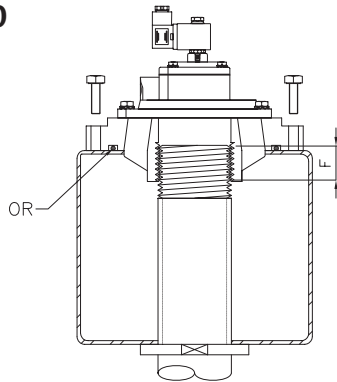
SQP 50/60/75/100



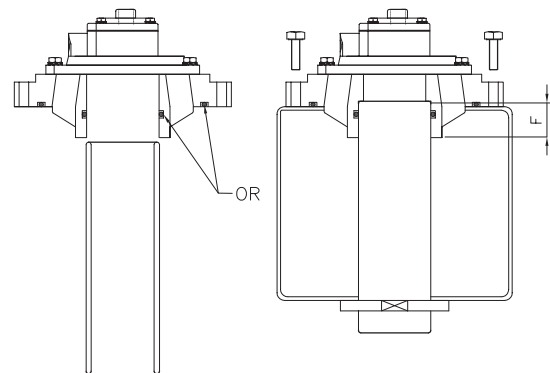
SQM 50/60/75/100



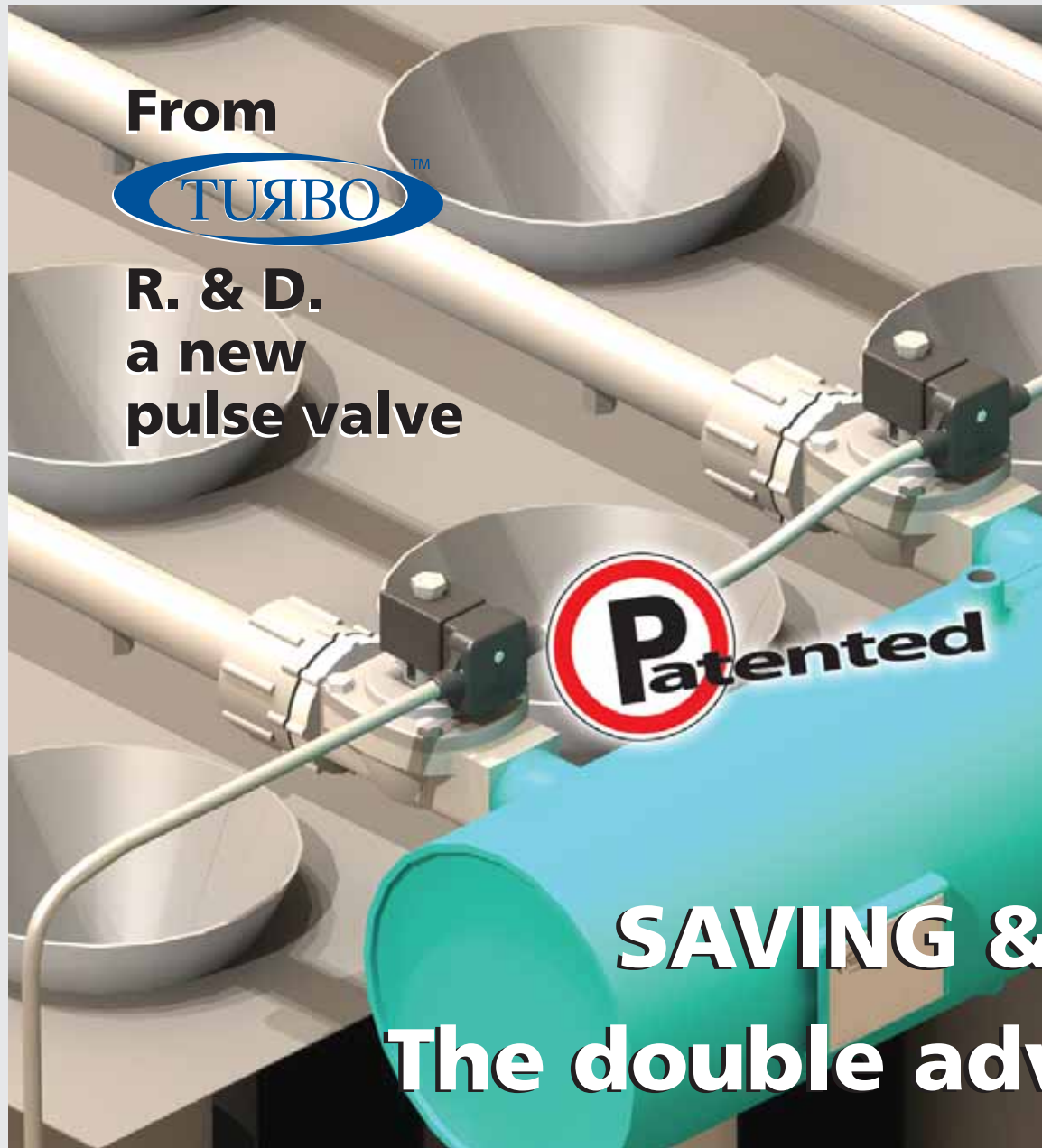
SQM 50/60
SQP 50/60



SQM 75/100 PUSH IN
SQP 75/100 PUSH IN



| Model | Ø A | Ø B | Ø C | Ø D | Ø E | F | G | H | I | Ø L | Weight (Kg) |
|-------------------|---------------|-------|-----|-----|-----|----|------|----|-----|-----|-------------|
| SQP 50 | 2" | 83 | 126 | 175 | 195 | 39 | 60 | 20 | 211 | 11 | 2,4 |
| SQP 60 | 2"½ | 83 | 126 | 175 | 195 | 39 | 60 | 20 | 211 | 11 | 2,2 |
| SQP 75-IN | 3" | 107,5 | 161 | 225 | 247 | 44 | 35,5 | 27 | 206 | 11 | 3,6 |
| SQP 100-IN | 4" (101,6 mm) | 119,5 | 161 | 225 | 247 | 44 | 35,5 | 27 | 206 | 11 | 3,5 |
| SQM 50 | 2" | 83 | 126 | 175 | 195 | 39 | 60 | 20 | 153 | 11 | 2,2 |
| SQM 60 | 2"½ | 83 | 126 | 175 | 195 | 39 | 60 | 20 | 153 | 11 | 2 |
| SQM 75-IN | 3" | 107,5 | 161 | 225 | 247 | 44 | 35,5 | 27 | 148 | 11 | 3,6 |
| SQM 100-IN | 4" (101,6 mm) | 119,5 | 161 | 225 | 247 | 44 | 35,5 | 27 | 148 | 11 | 3,3 |



From



**R. & D.
a new
pulse valve**



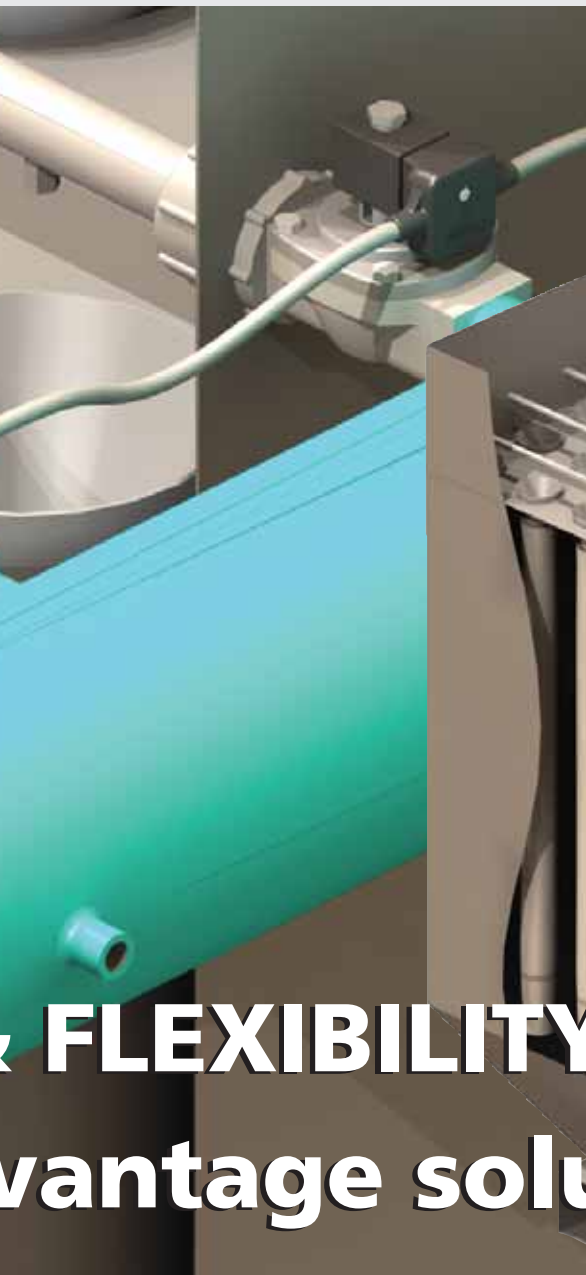
**SAVING &
The double adv**



**THE DESIGN OFFER EASE
OF MAINTENANCE THANK
TO ORIZONTAL POSITION**



**INTEGRATED COMPRESSION FITTING
ELIMINATE BULRHEAD CONNECTOR**



& FLEXIBILITY vantage solution!



**DIRECT INSTALLATION THROUGH
THE BAG HOUSE WALL**



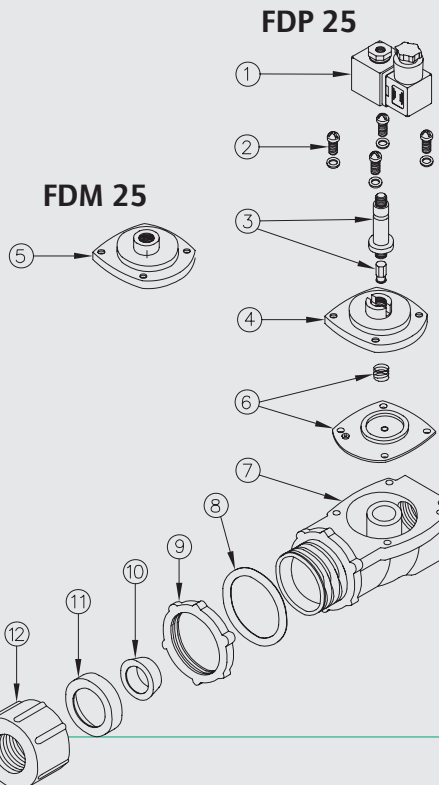
**SAME COMPONENTS THROUGH ALL
TURBO PULSE VALVES RANGE**



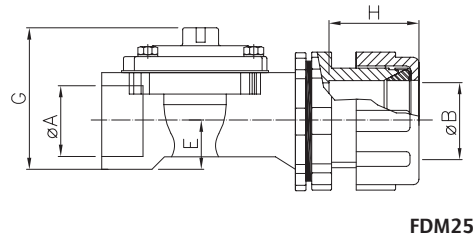
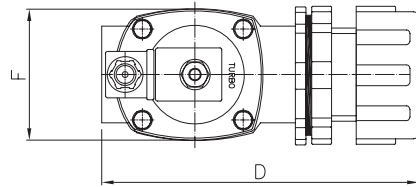
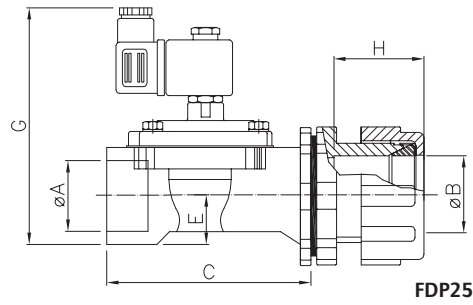
CARACTERISTICS

| | |
|---------------------------|---|
| Fluid | Filtered and oilfree compressed air |
| Temperature range | STD diaphragm -40°C; +80°C Viton diaphragm -30°C; +200°C |
| Operating pressure | min. 0,5; max 7,5 bar |
| Body & cover | Die cast aluminium |
| Core tube | Stainless Steel |
| Plunger | Stainless Steel |
| Screws | Stainless Steel |
| Coill insulation | Class H |
| Connector | PG 9; IP65 DIN 43650 ISO 4400 |
| Standard voltages | 230 -110 - 24V / 50-60VHz 19 VA 24VDC 15W |

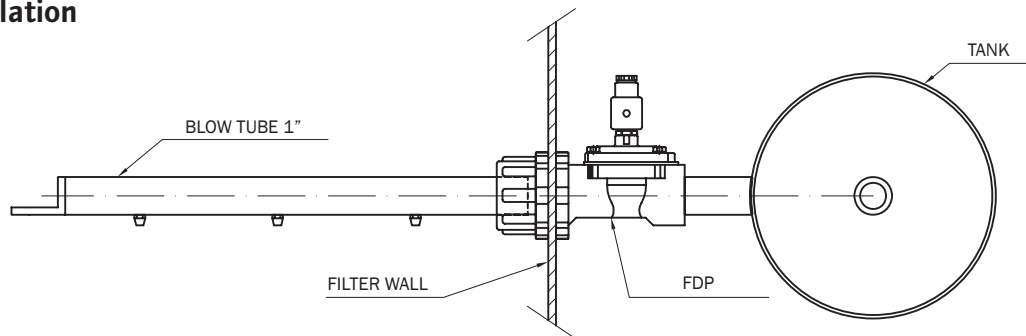
| DESCRIPTION | FDP25/ FDM25 |
|-------------------------|------------------|
| 1 Coil+Connector | BH10...V/50-60Hz |
| 2 Screws+Washer | VTE6x20+VROS6 |
| 3 Pole assembly | GPC 10 |
| 4 Cover | TCOP25 |
| 5 Cover remote operated | TCOP25FM |
| 6 Diaphragm+Spring | M25+TMOL 10G |
| 7 Body | TCOR25FLG/IN-OUT |
| 8 Gasket | TROND67x53x5 |
| 9 Lock nut | TGBA25 |
| 10 Seal | GCON25 |
| 11 Seal retainer | OG25 |
| 12 Compression nut | TDAL25 |



FDP/ FDM with compression fitting



Installation



| Model | Ø A | Ø B | C | D | E | F | G | H | Weight (Kg) |
|--------|-------|-----|-----|-----|----|----|-----|------|-------------|
| FDM 25 | 1"1/4 | 1" | 114 | 172 | 27 | 74 | 74 | 49,5 | 0,9 |
| FDP 25 | 1"1/4 | 1" | 114 | 172 | 27 | 74 | 132 | 49,5 | 1 |

ATEX 94/9/EC

Correspondence between zones and categories

| Group I (underground mining, methane and combustible dust) | | Group II (Surface, gas/air or mixture of dust/air, vapors) | | | | | |
|---|---|--|--------------------------------|---|--------------------------------|---|--------------------------------|
| Category M | | Category 1 | | Category 2 | | Category 3 | |
| 1 | 2 | G (Gases, Mists vapors Zone 0) | D (Dust Zone 20) | G (Gases, mists vapors Zone 1) | D (Dust Zone 21) | G (Gases, mists vapors Zone 2) | D (Dust Zone 22) |
| Equipments ensuring a very high level of protection. Guaranteed operations in case of possible errors | | Equipments ensuring a very high level of protection. Equipments ensuring a very high level of protection. Explosive atmospheres are present continuously, for long period or frequently. | | Equipments ensuring a high level of protection. Explosive atmospheres are likely to occur. | | Equipments ensuring a normal level of protection. Explosive atmospheres are unlikely to occur or, if they do occur, are likely to do so only infrequently and for a short period only. | |



C1 Bulkhead connector

PS/ PD Series

C2 Wrench

SG/ SD Series

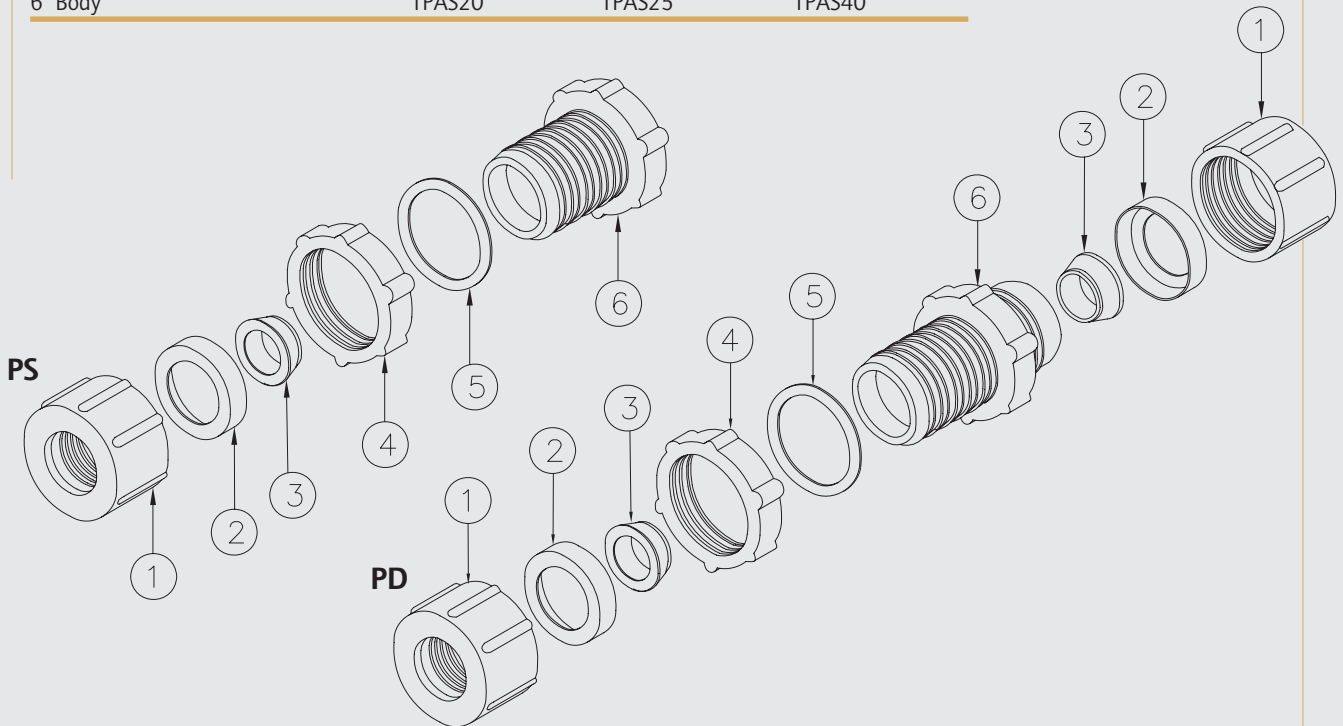
PS/PD Series



P series Bulkhead Connectores provide a simple and economic solution to installation by eliminating the need for welding or threaded pipe connections.

PD Series is a double ended connector for two-piece blow tube
PS Series is a single ended connector for one-piece blow tube

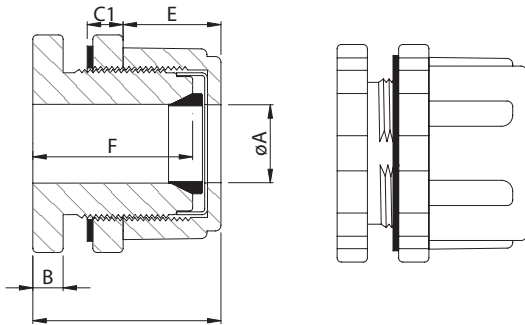
| DESCRIPTIONS | PS20 | PS25 | PS40 |
|-------------------|-----------------|-----------------|-----------------|
| 1 Compression nut | TDAL20/25 | TDAL25 | TDAL40 |
| 2 Seal retainer | OG20 | OG25 | OG40 |
| 3 Seal | G CON20 | G CON25 | G CON40 |
| 4 Lock nut | TGBA25 | TGBA25 | TGBA40 |
| 5 Washer | TFIBRA70x54x1,5 | TFIBRA70x54x1,5 | TFIBRA90x54x1,5 |
| 6 Body | TPAS20 | TPAS25 | TPAS40 |



| DESCRIPTION | PD20 | PD25 | PD40 |
|-------------------|-----------------|-----------------|-----------------|
| 1 Compression nut | TDAL20/25 | TDAL25 | TDAL40 |
| 2 Seal retainer | OG20 | OG25 | OG40 |
| 3 Seal | G CON20 | G CON25 | G CON40 |
| 4 Lock nut | TGBA25 | TGBA25 | TGBA40 |
| 5 Washer | TFIBRA70x54x1,5 | TFIBRA70x54x1,5 | TFIBRA90x54x1,5 |
| 6 Body | TPAS25 | TPAS25 | TPAS40 |

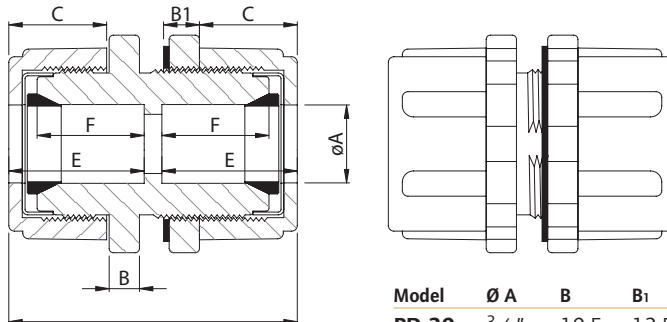
Dimensions **PS/PD** Series

PS



| Model | Ø A | B | C1 | D | E | F | Weight (Kg) |
|-------|-------|------|------|----|----|----|-------------|
| PS 20 | 3/4" | 10,5 | 12,5 | 67 | 35 | 56 | 0,5 |
| PS 25 | 1" | 10,5 | 12,5 | 67 | 35 | 56 | 0,4 |
| PS 40 | 1"1/2 | 14,5 | 16,5 | 92 | 40 | 79 | 0,8 |

PD

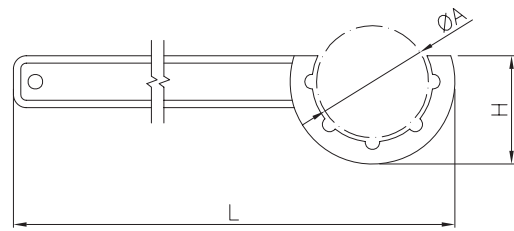
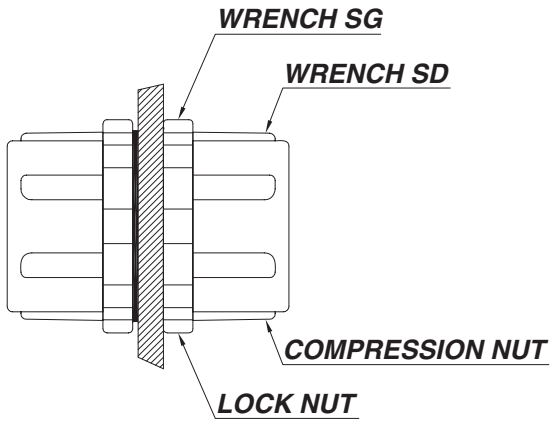


| Model | Ø A | B | B1 | C | D | E | F | Weight (Kg) |
|-------|-------|------|------|----|-------|------|----|-------------|
| PD 20 | 3/4" | 10,5 | 12,5 | 35 | 105 | 50 | 39 | 0,7 |
| PD 25 | 1" | 10,5 | 12,5 | 35 | 105 | 50 | 39 | 0,6 |
| PD 40 | 1"1/2 | 14,5 | 16,5 | 40 | 140 | 67 | 55 | 1,2 |
| PD 50 | 2" | 14,3 | 19 | 48 | 139,5 | 66,2 | 53 | 1,35 |

| | | |
|---|--------------------|---------------------|
| Body , lock nut, compression nut | Die cast aluminium | |
| Seal | NBR | -30°C / +100°C |
| | Silicon | -60°C / +200°C |
| Mounting hole | 3/4" | Wall hole ø min. 56 |
| | 1" | Wall hole ø min. 56 |
| | 1"1/2 | Wall hole ø min. 72 |
| | 2"1/2 | Wall hole ø min. 83 |



SG/SD Series



WRENCH SD FOR COMPRESSION NUT

| Model | Ø | A | H | L |
|-------|-------|----|----|-----|
| SD20 | 3/4" | 61 | 70 | 350 |
| SD25 | 1" | 61 | 70 | 350 |
| SD40 | 1"1/2 | 82 | 85 | 430 |

WRENCH SG FOR LOCK NUT

| Model | Ø | A | H | L |
|-------|-------|----|----|-----|
| SG20 | 3/4" | 70 | 65 | 350 |
| SG25 | 1" | 70 | 65 | 350 |
| SG40 | 1"1/2 | 90 | 85 | 430 |




PILOT VALVE BOXES

D1 **RCP Series**

D2 **RLD Series**

RCP RLD SERIES HOW TO ORDER

PILOT VALVE BOXES ACCORDING TO

ATEX  II 3D T100°C
IP66 NEMA 4 UL50

Turbo offer a range of pilot valve boxes for outdoor applications and hazardous locations.

Model available:

- RCP maximum length of pilot tubes 3m
- RLD maximum length of pilot tubes 10m

Tubes 6 or 8 mm should be used for pneumatic connections to the pulse valves.

Pilot valve boxes are supplied with pre-wired electric common terminals.

Thermostat with heater is recommended to prevent moisture or freezing inside of pilot valve boxes.

ORDERING

example

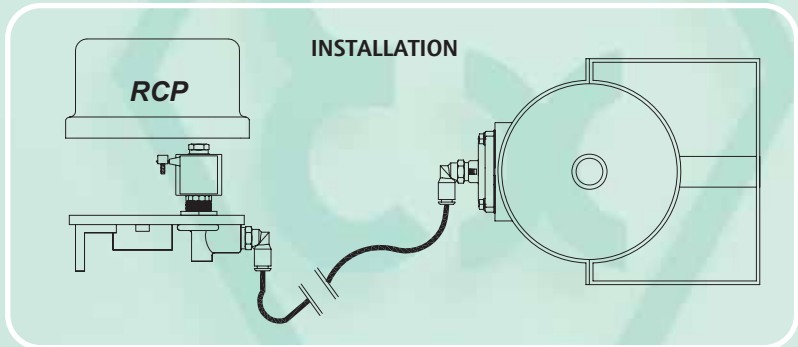
RCP 5 V/... R

RCP : PILOT VALVE BOX IP 66
RLD : PILOT VALVE BOX IP 66

NUMBER OF PILOT VALVES
RCP 1-2-3-4-5 (Small size)
RCP 6-7-8 (Medium size)
RCP 9-10-11-12 (Large size)

VOLTAGE
24V 50-60Hz = 02450
110V 50-60Hz = 11050
220V 50-60Hz = 22050
24Vcc = 024DC

Heater with thermostat (option)
Power 70W for RCP5
Power 120W for RCP8 e RCP12

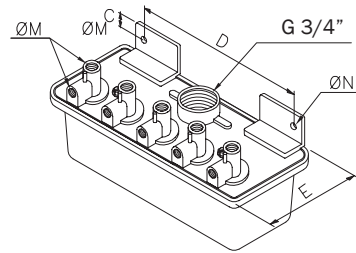
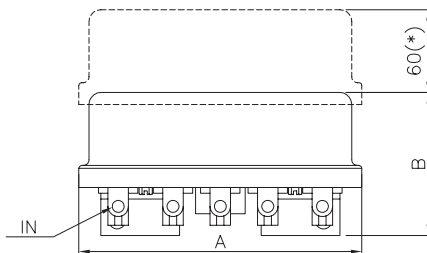




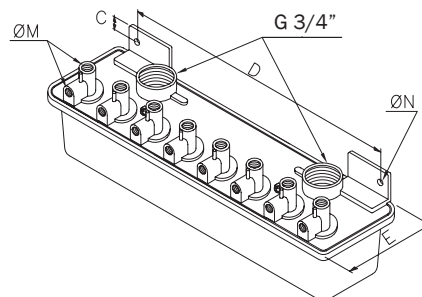
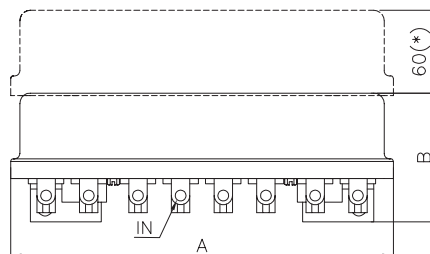
CHARACTERISTICS

| | |
|---------------------------|---|
| Fluid | Filtered and oilfree compressed air |
| Operating pressure | min 0,5; max 7,5 bar |
| Temperature range | -20°C +80°C |
| W/ Heating | -40°C +80°C |
| Base and cover | Die cast aluminium |
| Core tube | Stainless Steel |
| Plunger | Stainless Steel |
| Screws | Stainless Steel |
| Coil insulation | Class H |
| Protection | IP66 |
| Standard voltages | 230 -110 - 24V 50-60VHz 19 VA 24VDC 15W |

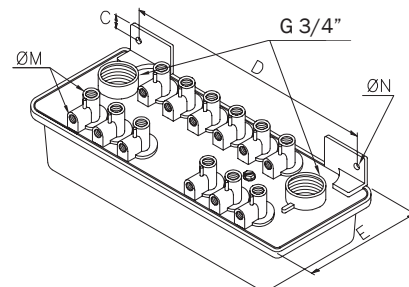
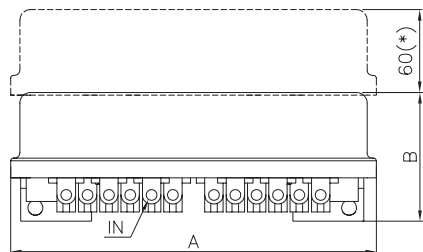
RCP5



RCP8



RCP12



| Model | A | B | C | D | E | Ø M | Ø N | Weight (Kg) |
|-------|-----|----|----|-----|-----|------|-----|-------------|
| RCP5 | 210 | 98 | 10 | 156 | 100 | 1/8" | 11 | 1,7 |
| RCP8 | 333 | 98 | 10 | 267 | 100 | 1/8" | 11 | 3,2 |
| RCP12 | 306 | 97 | 10 | 237 | 152 | 1/8" | 11 | 4,4 |

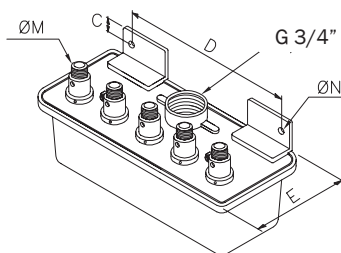
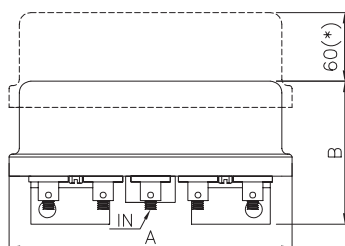
RLD Series



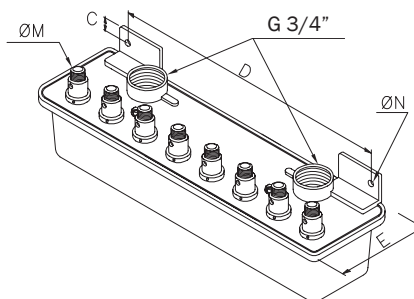
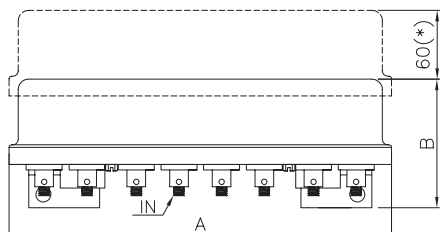
CARACTERISTICS

| | |
|---------------------------|---|
| Fluid | Filtered and oilfree compressed air |
| Operating pressure | min. 0,5; max 7,5 bar |
| Temperature range | -20°C +80°C -40°C +80°C |
| Base and cover | Die cast aluminium |
| Core tube | Stainless Steel |
| Plunger | Stainless Steel |
| Screws | Stainless Steel |
| Coil insulation | Class H |
| Protection | IP66 |
| Standard voltages | 230 -110 - 24V 50-60VHz 19 VA 24VDC 15W |

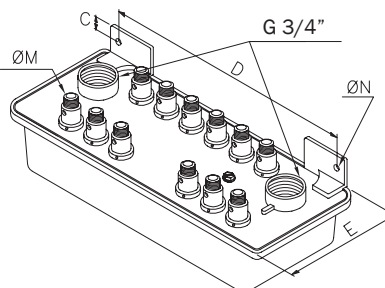
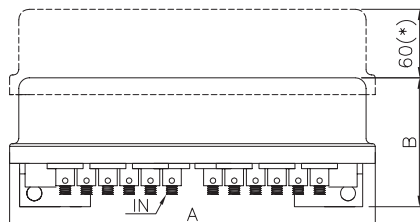
RLD5



RLD8



RLD12



| Model | A | B | C | D | E | Ø M | Ø N | Weight (Kg) |
|--------------|-----|----|----|-----|-----|------|-----|-------------|
| RLD5 | 210 | 98 | 10 | 156 | 100 | 1/8" | 11 | 1,7 |
| RLD8 | 333 | 98 | 10 | 267 | 100 | 1/8" | 11 | 3,2 |
| RLD12 | 306 | 97 | 10 | 237 | 152 | 1/8" | 11 | 4,4 |



Pilot valves

E1 **SR Series**

E2 **LD Series**

HOW TO ORDER

PILOT VALVE FOR PULSE VALVE

Designed for panel mounting or Turbo boxes. Two models are available:

- **Series SR, max. length of pilot tubes 3m**
- **Series LD, max. length of pilot tubes 10m**

Two ways normally closed. Tubes 6 or 8 mm. diameter should be used for pneumatic connections to the pulse valves.

HOW TO ORDER

example

SRM

02450

SRC : PILOT VALVE WITH CONNECTOR
SRM : PILOT VALVE SCREWS TERMINAL
LDC : PILOT VALVE WITH CONNECTOR
LDM : PILOT VALVE SCREWS TERMINAL

VOLTAGE

24V 50-60Hz= 02450
 110V 50-60Hz= 11050
 220V 50-60Hz= 22050
 24VDC = 024DC

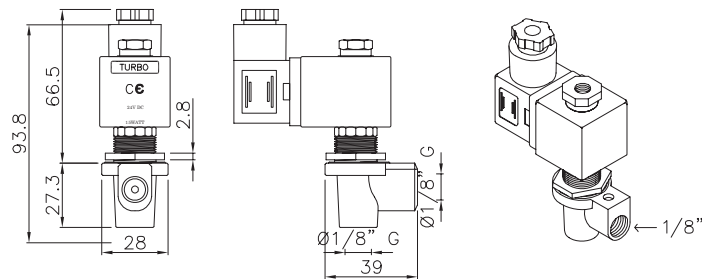
Code **SRM02450** is for pilot valve with screws terminal (**SRM**) power supply 24V 50Hz (**02450**).



CHARACTERISTICS

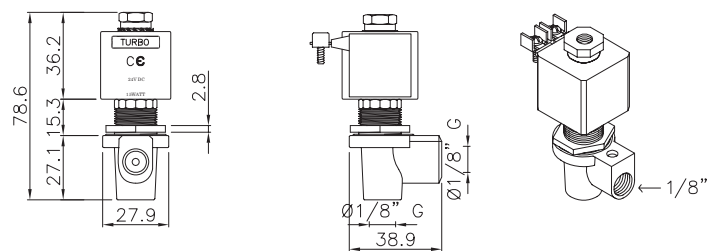
| | |
|---------------------------|--|
| Fluid | Filtered and oilfree compressed air |
| Operating pressure | min. 0,5; max 7,5 bar |
| Temperature range | -20°C +80°C |
| Body | Brass |
| Core tube | Stainless Steel |
| Plunger | Stainless Steel |
| Coil insulation | Class H |
| Connector | PG9 / IP 65 |
| Standard voltages | 230 -110 - 24V/50-60VHz (19 VA) 24VDC (15W) |

**SRC
IP65**

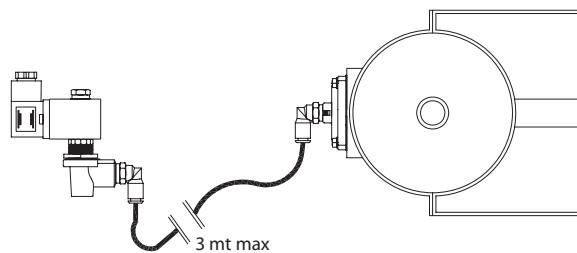


Available with ATEX coil zone 21 and zone 22

**SRM
IP00**

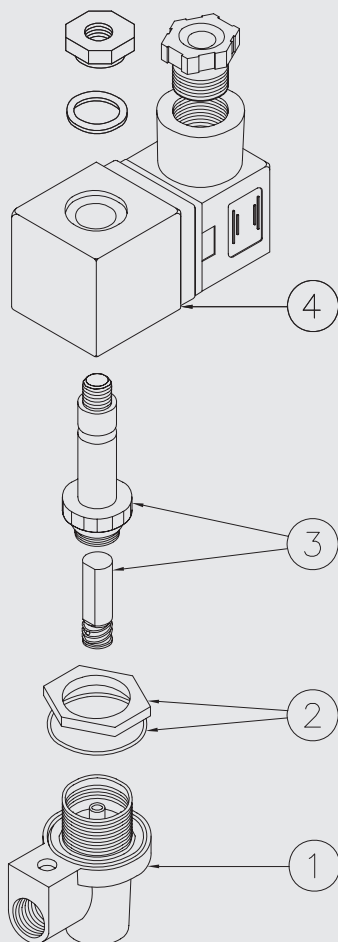


INSTALLATION



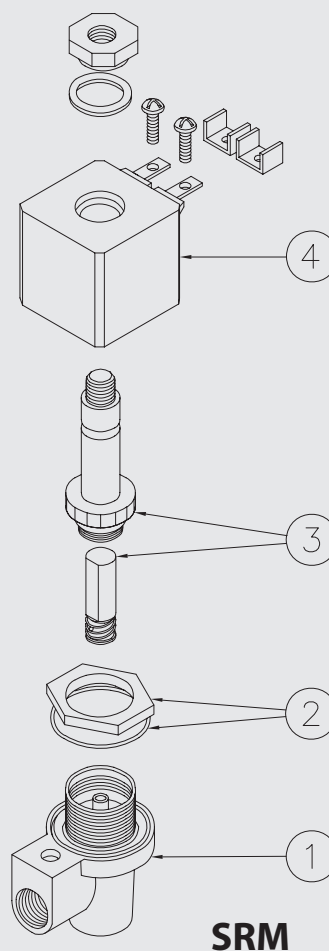
SR Series

SRC



| DESCRIPTION | SRC |
|---------------------|-----------------------|
| 1 Body | PCRP |
| 2 Lock nut + O-ring | TGHIERA 18x1 + OR3081 |
| 3 Pole assembly | GPC10/R |
| 4 Coil + connector | BH10 |

| DESCRIPTION | SRM |
|---------------------|-----------------------|
| 1 Body | PCRP |
| 2 Lock nut + O-ring | TGHIERA 18x1 + OR3081 |
| 3 Pole assembly | GPC10/R |
| 4 Coil | BH10-A9 |



SRM

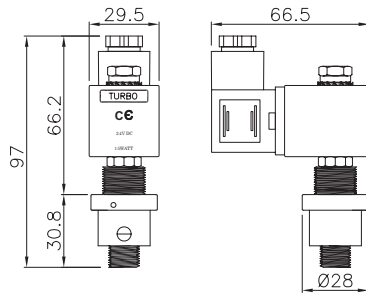
Long distance operation **LD** Series



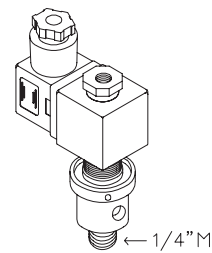
CHARACTERISTICS

| | |
|---------------------------|--|
| Fluid | Filtered and oilfree compressed air |
| Operating pressure | min. 0,5; max 7,5 bar |
| Temperature range | -20°C +80°C |
| Body | Brass |
| Core tube | Stainless Steel |
| Plunger | Stainless Steel |
| Coil insulation | Class H |
| Connector | PG9 / IP 65 |
| Standard voltages | 230 -110 - 24V/50-60VHz (19 VA) 24VDC (15W) |

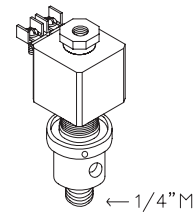
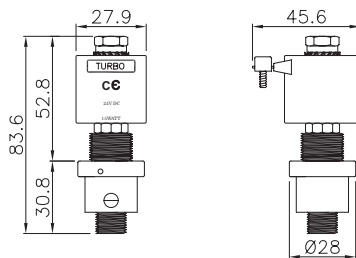
LDC



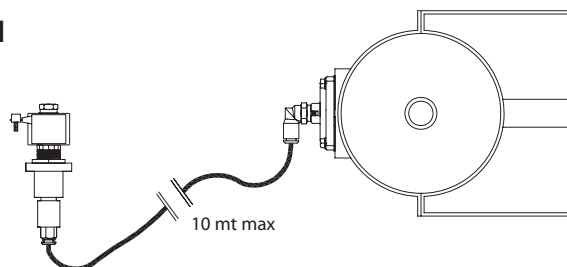
⊕ Available with ATEX coil zone 21 and zone 22



LDM

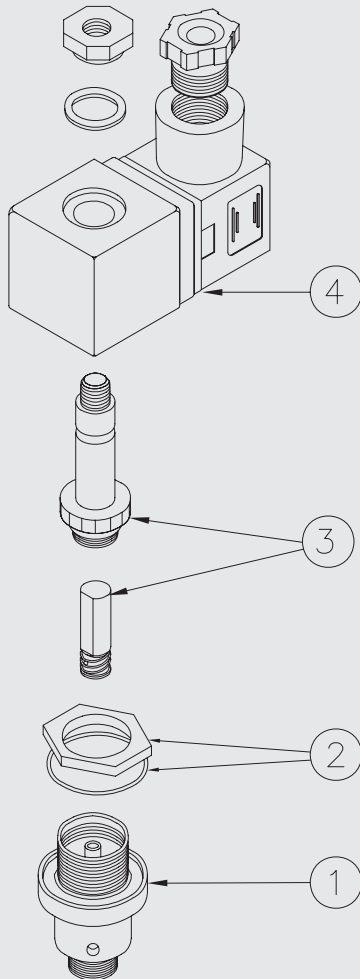


INSTALLATION



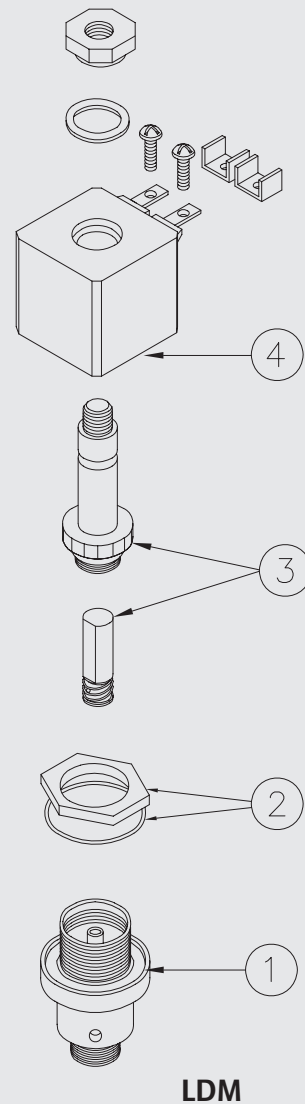
LD Series LONG DISTANCE OPERATION

LDC



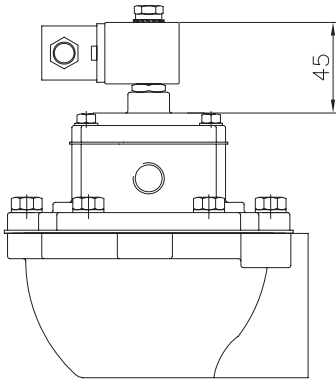
| DESCRIPTION | LDM |
|---------------------|--------------------|
| 1 Body | PCRLD |
| 2 Lock nut + O-ring | TGHIERA18x1+OR3071 |
| 2 Pole assembly | GPC10/R |
| 3 Coil + connector | BH10 |

| DESCRIPTION | LDM |
|---------------------|--------------------|
| 1 Body | PCRLD |
| 2 Lock nut + O-ring | TGHIERA18x1+OR3071 |
| 3 Pole assembly | GPC10/R |
| 4 Coil + connector | BH10-A9 |



LDM

ATEX

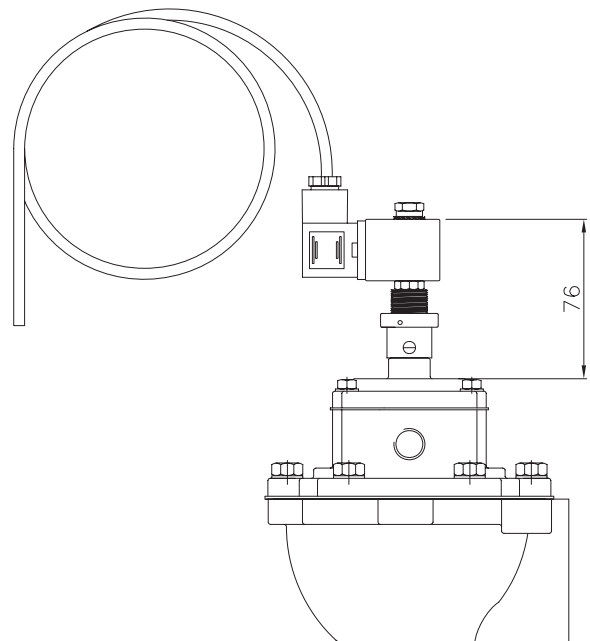


ATEX II3GD (zone 2 e 22)

Turbo pulse valves for potentially explosive atmospheres according to ATEX 94/9/EC valve is provided with moulded coil and connector IP 65 suitable for zone 2 e 22. Valve dimensions are same of standard model.



Turbo pulse valves for potentially explosive atmospheres according to ATEX 94/9/EC. Valve use encapsulated moulded soil with leads wire of different length. Pilot valve has brass body that change valve dimensions from standard model.

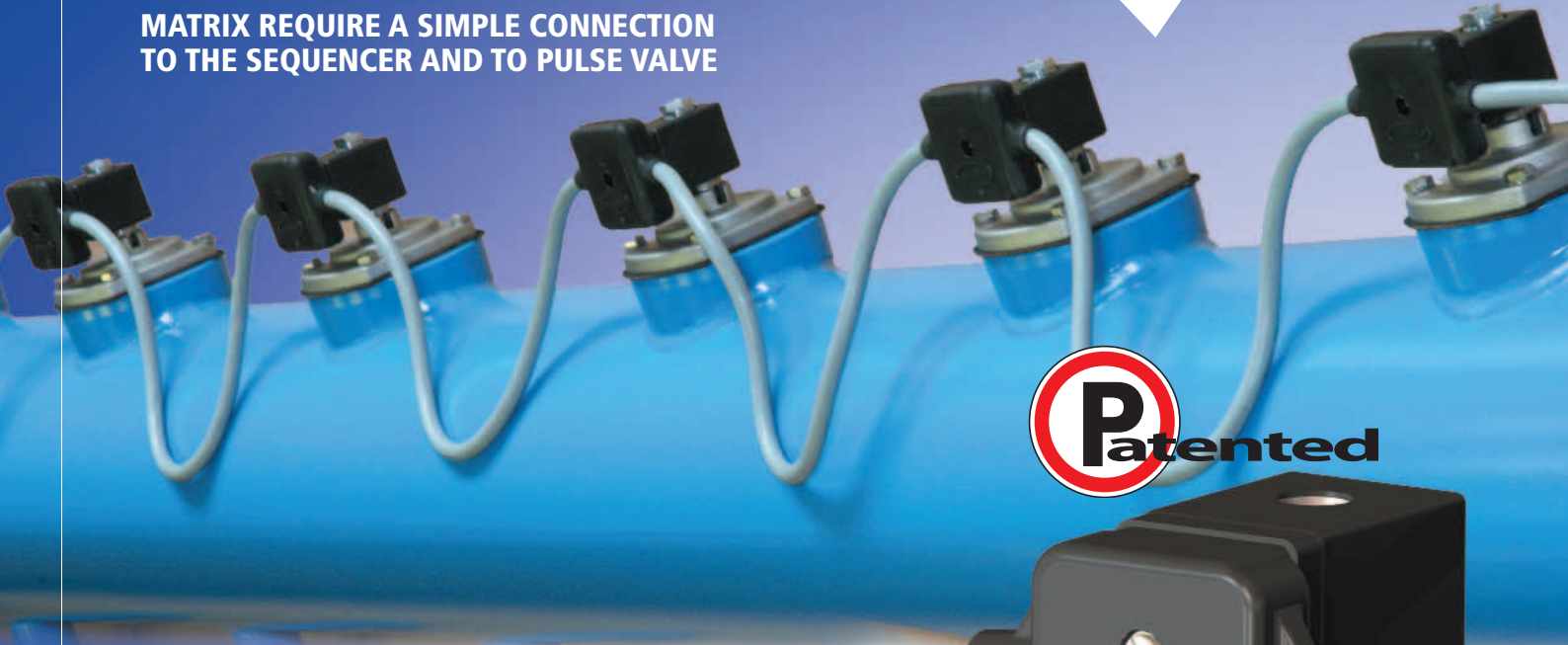


ATEX II2GD (zone 1 e 21)



MATRIX WIRING SYSTEM COST SAVING AND FLEXIBILITY

MATRIX SYSTEM IS DESIGNED TO REDUCE TIME AND COST OF WIRING INSTALLATION
MATRIX REQUIRE A SIMPLE CONNECTION TO THE SEQUENCER AND TO PULSE VALVE



F E A T U R E S

- Matrix consist in moulded prewired connectors for pulse valve
- Turbo provide Matrix connectors with desired pitch between valves
- Matrix System is compatible with any sequence controller available from the market
- Matrix can be supplied factory plugged to pulse valves on the header tank



DUST FILTER COMPONENTS



HOW TO ORDER

MATRIX 4 P200 M3 Plugged

No.° of Connectors

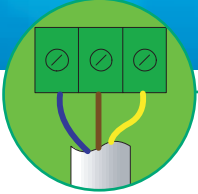
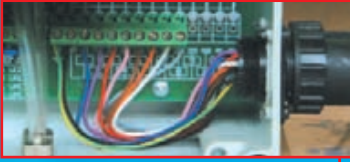
Pitch (mm)

Conduit lenght to sequencer

Terminal:

• plugged

• free wires



TECHNICAL CHARACTERISTICS

Max 12 connectors

Cable diameter. 8 mm

Protection: IP65

Temperature range: -20°C +80°C

DIMENSIONS

